

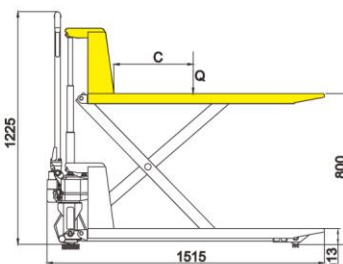
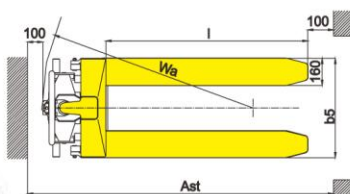
Model: JF



Conforms to EN ISO3691-5
Based on Directive 2006/42/EC



- Ideal design with numerous possibilities makes this unit very suitable as pallet truck/scissor lift table.
- Telescopic jack composes of 3 piston rods creating light pumping force giving great rigidity.
- Support legs come into operation automatically.
- It prevents the unit from moving when the forks are raised to keep the safety of the operator.
- Truck automatically slows the descending speed when heavy goods loaded to prevent cargo damage.
- 210 degree turning radius.
- 2 lateral stabilizers when raised ensure good stability.



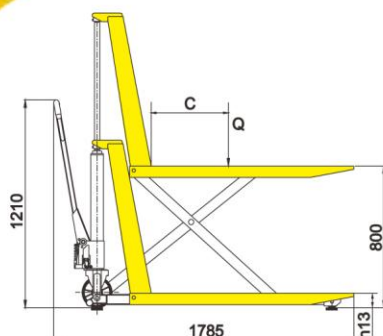
1KG=2.205LB 1INCH=25.40MM

| Model | | JF | JF7 |
|---------------------------------------------|---------------------|-------------|---------|
| Capacity | Q(kg) | 1000 | 1000 |
| Lowered fork height | h ₀ (mm) | 85 | 85 |
| Steering wheel | mm | Φ180X50 | Φ180X50 |
| Fork wheel | mm | Φ74X50 | Φ74X50 |
| Fork length | l (mm) | 1150 | 1220 |
| Width overall forks | b ₀ (mm) | 520/550/685 | 550/685 |
| Aisle width for pallets 1000x1200 crossways | A ₀ (mm) | 1715 | 1985 |
| Aisle width for pallets 800x1200 lengthways | A ₀ (mm) | 1765 | 1985 |
| Turning radius | W ₀ (mm) | 1360 | 1670 |
| Service weight | kg | 104-115 | 104-115 |

Model: JF7



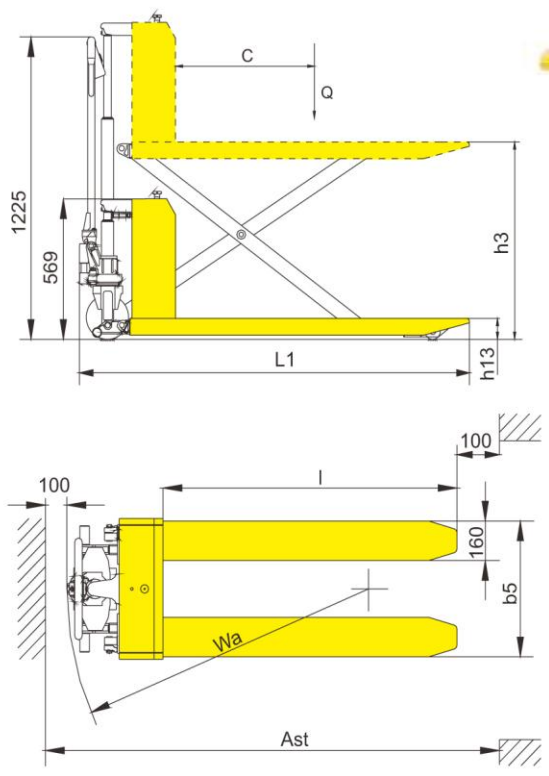
- Improved safety: Automatic activation of self adjusting stabilizers when lifting loads higher than 400 mm for maximum stability .
- Great stability: Extra long front legs increase the stability when handling unevenly loaded pallets.
- Quick-lift operation: Quick-lift function doubles the lifting speed when lifting loads less than 250kg.





Conforms to EN ISO3691-1
 EN1175-1
 EN16307-1
 Based on Directive 2006/42/EC

Model: JFD8



1KG=2.205LB 1INCH=25.40MM

| Model | | JFD8 |
|---------------------------------------------|---------------|---------|
| Capacity | Q(kg) | 1000 |
| Lowered fork height | h_{13} (mm) | 85 |
| Steering wheel | mm | Φ180x50 |
| Fork wheel | mm | Φ74x50 |
| Max. lift height | h (mm) | 800 |
| Overall length | L (mm) | 1652 |
| Fork length | l (mm) | 1245 |
| Width overall forks | b (mm) | 550/685 |
| Aisle width for pallets 1000x1200 crossways | A (mm) | 1852 |
| Aisle width for pallets 800x1200 lengthways | A (mm) | 1852 |
| Turning radius | W (mm) | 1480 |
| Lift motor rating at S3 15% | kW | 0.7 |
| Battery voltage,nominal capacity K10 | V/Ah | 12/100 |
| Battery weight | kg | 31 |
| Service weight (with battery) | kg | 181 |