

KOLEC

PALLET TRUCK

NA 25 30



KOLEC

MADE IN JAPAN

KOLEC PALLET TRUCK NA 10 15 25 30

ADVANTAGE

1. HYDRAULIC PUMP ALLOWS LIGHT TOUCH SMOOTH OPERATION WITH NEUTRAL POSITION.
2. SAFETY CONSCIOUS OPERATION WITH ANTI OVERLOAD FUNCTION.
3. DOWN ELEVATION SPEED IS MANAGEABLE BY HANDLE LEVER, SHOCK FREE.

4. FIRM FORK STRUCTURE BY 4.5%^m PRESSED MATERIAL. AFFORDABLE FOR THINNER PALLET AND PLASTICS PALLET WITH 65%^m MINIMUM FORK THICKNESS.
5. DOUBLE URETHANE TIRES PROVIDE SMOOTH TRAVELLING WITH QUIET WORKING. ENVIROMENT, LONGEVITY ITSELF AS WELL.

DIMENSIONS AND SPECIFICATIONS

STANDARD MODELS

Type	Capacity (kg)	W (mm)	L (mm)	Min. Fork height (mm)	Max. Fork height (mm)	Tire		Net weight (kg)
						Steering wheel	Load wheel	
NA 10-48	1000	460	810	80	200	Poly-urethane 180ø x 50	Poly-urethane 76ø x 65	60
NA 10-58		520	810					60
NA 10-59		520	980					64
NA 10-510		520	1070					65
NA 10-511		520	1150					67
NA 10-712		685	1220					73
NA 15-58	1500	520	810	80	200	Poly-urethane 180ø x 50	Poly-urethane 76ø x 95	60
NA 15-59		520	980					64
NA 15-510		520	1070					65
NA 15-511		520	1150					67
NA 15-610		600	1070					71
NA 15-76		685	650					62
NA 15-710		685	1070					70
NA 15-712		685	1220					73
NA 25-510	2500	520	1070	80	200	Polyurethane 180ø x 50	Polyurethane 76ø x 65	66
NA 25-712		685	1220					74
NA 30-712	3000	685	1220	80	200	Polyurethane 180ø x 50	Polyurethane 76ø x 65 (Double Wheels)	94

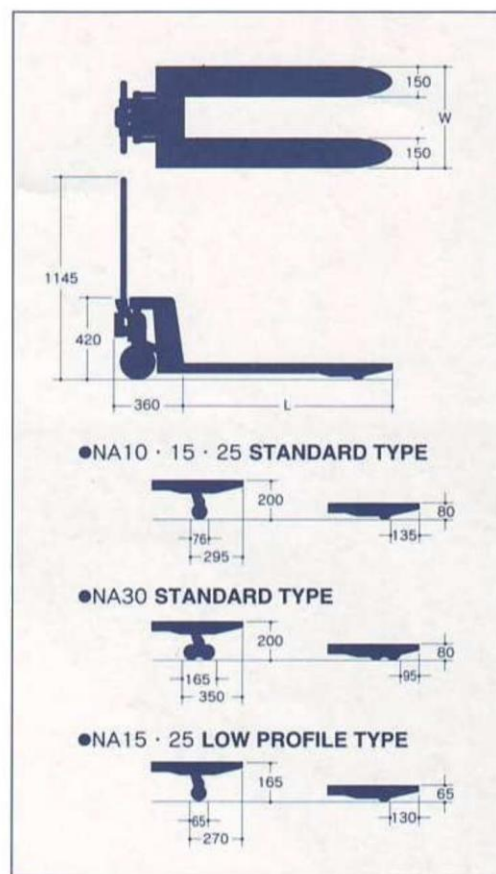
NAL 15-510	1500	520	1070	65	165	Poly-urethane 180ø x 50	Poly-urethane 65ø x 100	65
NAL 15-69		630	980					71
NAL 15-712		685	1220					73
NAL 25-712	2500	685	1220					74

SUB STANDARD MODELS

Type	Capacity (kg)	W (mm)	L (mm)
NA 10-49	1000	460	980
NA 15-48	1500	460	810
NA 15-49		460	980
NA 25-58	2500	520	810
NA 25-59		520	980
NA 30-510	3000	520	1070

LOW PROFILE MODELS

NAL 15-58	1500	520	810
NAL 15-59		520	980
NAL 15-511		520	1150
NAL 25-510	2500	520	1070



PT. NATRACO TUNAS CITRA

Jl. Kerajinan No. 8, Jakarta 11130
 Phone : (021) 631 3333, 626 0083
 Fax : (021) 639 4243
 Email : admin.awp@natraco.co.id
 Website : www.natraco.co.id

These above dimensions and specifications may be modified due to improvements without prior notice.