



# SJ30 A/E/ARJE

## ELECTRIC ARTICULATING BOOM

### STANDARD FEATURES

- Rotating jib (SJ30 ARJE only)
- Direct AC electric drive
- Dual spring applied, electromagnetically released brakes
- Regenerative braking
- Speed and angle sensing traction control
- 48V 305 Ah battery pack
- 28 mph (12.5 m/s) wind rating
- DC powered emergency lowering
- Secondary guarding electrical (SGE)
- Drivable at full height
- 355° Non-continuous turret rotation
- 35% Gradeability
- Swing out battery trays
- Swing out cowlings
- Modular platform railing system
- Rear-entry sliding mid rail
- 110V AC outlet on platform with GFI
- Direction sensing drive and steer controls
- Proportional drive and boom controls
- Function speed selector
- Relay based control system
- Color coded and numbered wiring
- Hourmeter
- Operator horn
- All motion alarm
- Tie down/lifting lugs
- 22 x 7 x 12 solid rubber, non-marking tires
- Telematics ready
- 2 Year Gold Leaf Warranty (5 year structural warranty)

### ACCESSORIES AND OPTIONS

- Pipe rack
- Tool caddy
- Platform work lights
- Flashing light
- 1/2" Airline to platform
- Control box cover
- 1000W AC Inverter
- 360 Ah batteries
- 330 Ah AGM batteries
- Rear gate
- Bio oil
- Non destructive testing

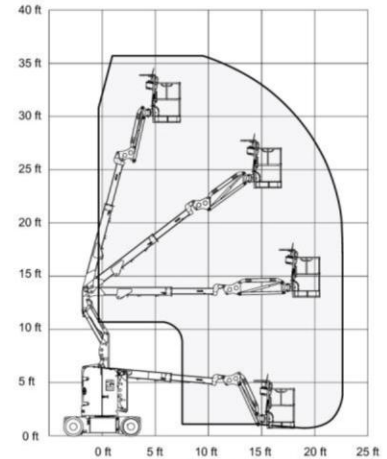
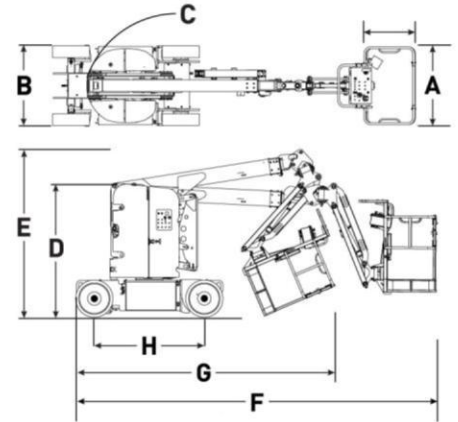
Preliminary specifications at time of printing. Consult your local area sales representative for details.

† Standard lead times may be increased when optional equipment is added, consult factory.

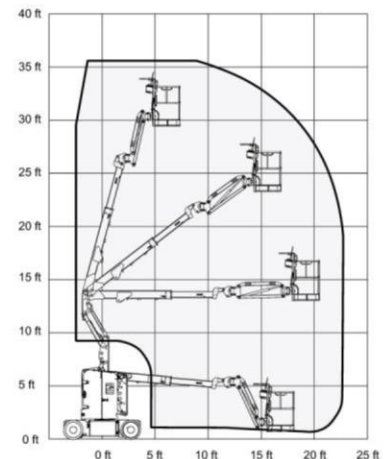
‡ Capacities, and machine weights may differ when options are added.

# SJ30 AJE/ARJE ELECTRIC ARTICULATING BOOM

Dimensions	SJ30 AJE	SJ30 ARJE
Work Height	35' 9" (10.90 m)	35' 6" (10.82 m)
Platform Height	29' 9" (9.07 m)	29' 6" (9.00 m)
Horizontal Reach	20' 6" (6.25 m)	20' 6" (6.25 m)
Up and Over Height	13' 1" (3.99 m)	13' 1" (3.99 m)
<b>A</b> Platform Size	30" x 46" (0.76 m x 1.17 m)	30" x 46" (0.76 m x 1.17 m)
<b>B</b> Stowed Width	47" (1.19 m)	47" (1.19 m)
<b>C</b> Tailswing	0	0
<b>D</b> Stowed Height	6' 7" (2.01 m)	6' 7" (2.01 m)
<b>E</b> Transport Height	7' 10" (2.39 m)	8' 4" (2.54 m)
<b>F</b> Stowed Length	17' 11" (5.46 m)	17' 10" (5.44 m)
<b>G</b> Transport Length	13' 5" (4.09 m)	13' 5" (4.09 m)
<b>H</b> Wheelbase	65" (1.65 m)	65" (1.65 m)
Ground Clearance	4" (10.16 cm)	4" (10.16 cm)
Specifications	SJ30 AJE	SJ30 ARJE
Turret Rotation	355° NC	355° NC
Platform Rotation	180°	180°
Jib Length	49" (1.25 m)	49" (1.25 m)
Jib Range of Motion - Vertical	142° (+77°/-65°)	142° (+77°/-65°)
Jib Range of Motion - Horizontal	-	180°
Weight	14,560 lbs (6,605 kg)	14,560 lbs (6,605 kg)
Gradeability - Counterweight Facing Up	35%	35%
Gradeability - Counterweight Facing Down	25%	25%
Turning Radius (Inside)	60" (1.52 m)	60" (1.52 m)
Turning Radius (Outside)	127" (3.23 m)	127" (3.23 m)
Drive Speed (Stowed)	3.0 mph (4.8 km/h)	3.0 mph (4.8 km/h)
Drive Speed (Elevated/Extended)	0.4 mph (0.64 km/h)	0.4 mph (0.64 km/h)
Capacity	500 lbs (227 kg)	500 lbs (227 kg)
Local Floor Load (With Rated Load)	236 psi (1,627 kPa)	236 psi (1,627 kPa)
Overall Floor Load (With Rated Load)	530 psf (25 kPa)	530 psf (25 kPa)
Maximum # of Persons (indoors/outdoors)	2/2	2/2
Wind Rating	28 mph (12.5 m/s)	28 mph (12.5 m/s)
Tire Type	Solid, N/M	Solid, N/M
Tire Size	22 x 7 x 12	22 x 7 x 12



SJ30 AJE



SJ30 ARJE



## PT NATRACO TUNAS CITRA

Jl. Kerajinan No. 8, Jakarta - 11130

Phone : (021) 6260083, 6313333

Fax : (021) 6394243

Email : [admin.awp@natraco.co.id](mailto:admin.awp@natraco.co.id)

Website : [natraco.co.id](http://natraco.co.id)

This brochure is for illustrative purpose only and based on the latest information at the time of printing. Skyjack Inc. reserves the right to make changes at any time, without notice, to specifications, standard and optional equipment. Consult the Operating Maintenance and Parts Manuals for proper procedures. Work platforms have been tested to comply with ANSI and CSA standards as interpreted by Skyjack Inc.

