

SJ4726/32

ELECTRIC SCISSORS



STANDARD FEATURES

- Drivable at full height
- Variable speed, rear two wheel hydraulic drive
- Dual holding brakes
- SKYCODED™ Color coded and numbered wiring system
- On-board visual interface with diagnostic capabilities
- Shroud style, impact resistant composite control box with extended cable
- Proportional controls for drive & lift functions
- Tilt sensor (3.5° x 1.5°)
- 4' (1.22 m) Roll out extension deck
- 24V DC Power source
- Low voltage battery protection
- 25% Gradeability
- Solid rubber, non-marking tires
- Pothole protection system
- 110V AC Outlet on platform with GFI
- 28 mph (12.5 m/s) Wind rating
- Tilt alarm with drive & lift cut-out
- All motion audible alarm
- Lanyard attachment points
- Operator horn
- Forklift pockets and tie down/lift lugs
- Overload sensing system
- Fold down hinged railing system
- Half height spring hinged entry gate
- Telematics ready
- 5-Year parts warranty on standard charger and controller
- 2-Year Gold Leaf Warranty (5-year structural warranty)

OPTIONS

- Light duty pipe rack
- Heavy duty pipe rack
- Board carrier
- Tool caddy
- Flashing light
- Dual flashing lights
- 6' (1.83 m) Powered ext. deck (SJ4726)*
*adds 251 lbs (114 kg) to unit weight and capacity remains the same
- 800W AC Inverter
- 250 Ah Batteries (cannot be combined with EE rating package)
- AGM Batteries
- Lockable swingout trays
- EE Rating package (not available with telematics keypad)
- Aircraft protection package (SJ4726)
- Full height spring hinged entry gate
- Bio oil
- Secondary Guarding Lift Enable (SGLE)
- Non-destructive testing
- ELEVATE telematics (3-year or 5-year plans available)
- ELEVATE Battery Management System (BMS) *
- Warranty options (3-year or 5-year plans available)

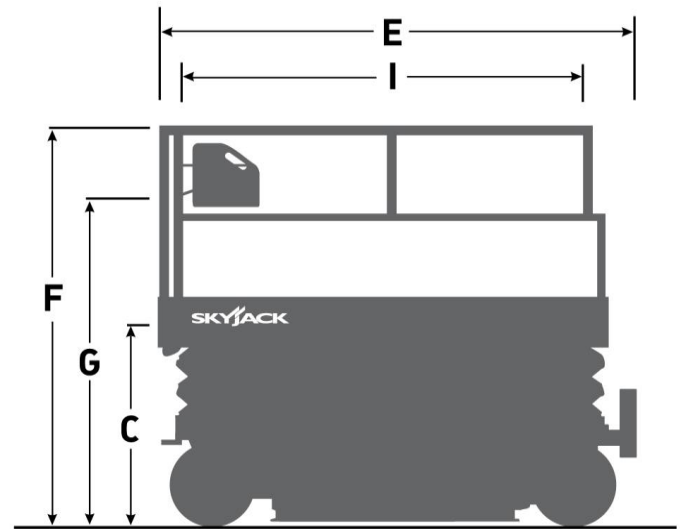
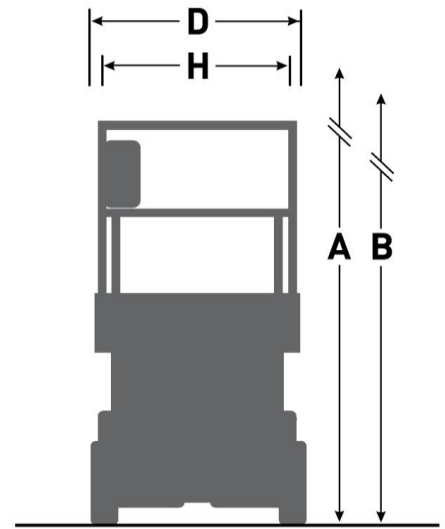
† Standard lead times may be increased when optional equipment is added, consult factory.

‡ Capacities and machine weights may differ when options are added.

* Only available with ELEVATE telematics.

SJ4726/32 ELECTRIC SCISSORS

| Dimensions | SJ4726 | SJ4732 |
|--|------------------------------------|------------------------------------|
| A Work Height | 31' 7" (9.63 m) | 37' 7" (11.46 m) |
| B Raised Platform Height | 25' 7" (7.80 m) | 31' 7" (9.63 m) |
| C Lowered Platform Height | 46" (1.17 m) | 50" (1.27 m) |
| D Overall Width | 47" (1.19 m) | 47" (1.19 m) |
| E Overall Length | 91.6" (2.32 m) | 91.6" (2.32 m) |
| F Stowed Height (Rails Up) | 90" (2.29 m) | 94" (2.39 m) |
| G Stowed Height (Rails Down) | 75" (1.90 m) | 78.5" (1.99 m) |
| H Platform Width (Inside Dimension) | 42" (1.07 m) | 42" (1.07 m) |
| I Platform Length (Inside Dimension) | 83" (2.11 m) | 83" (2.11 m) |
| Specifications | SJ4726 | SJ4732 |
| Extension Deck (Roll Out) | 4' (1.22 m) | 4' (1.22 m) |
| Ground Clearance (Pothole Raised) | 4.0" (10.2 cm) | 4.0" (10.2 cm) |
| Ground Clearance (Pothole Deployed) | 0.5" (1.3 cm) | 0.5" (1.3 cm) |
| Wheelbase | 69" (1.75 m) | 69" (1.75 m) |
| Weight | 5,537 lbs (2,511 kg) | 5,496 lbs (2,492 kg) |
| Gradeability | 25% | 25% |
| Turning Radius (Inside) | 28" (0.71 m) | 28" (0.71 m) |
| Turning Radius (Outside) | 104" (2.64 m) | 104" (2.64 m) |
| Lift Time (With Rated Load) | 52 sec | 50 sec |
| Lower time (With Rated Load) | 32 sec | 30 sec |
| Drive Speed (Stowed) | 2.0 mph (3.2 km/h) | 2.0 mph (3.2 km/h) |
| Drive Speed (Raised) | 0.6 mph (1.0 km/h) | 0.6 mph (1.0 km/h) |
| Maximum Drive Height | Full Height | Full Height |
| Capacity (Overall) | 1,000 lbs (454 kg) | 700 lbs (318 kg) |
| Distributed Capacity (Main Platform) | 700 lbs (318 kg) | 450 lbs (204 kg) |
| Distributed Capacity (Extension Deck) | 300 lbs (136 kg) | 250 lbs (113 kg) |
| Local Floor Load (With Rated Load) | 131 psi (903 kPa) | 124 psi (856 kPa) |
| Overall Floor Load (With Rated Load) | 234 psf (1,143 kg/m ²) | 222 psf (1,083 kg/m ²) |
| Maximum # of persons at 0 mph (0 m/s) wind rating | 3 | 2 |
| Maximum # of persons up to 28 mph (12.5 m/s) wind rating | 2 | 1 |
| Tire Type | Solid, N/M | Solid, N/M |
| Tire Size | 16 x 5 x 12 | 16 x 5 x 12 |



PT NATRACO TUNAS CITRA

Jl. Kerajinan No. 8, Jakarta - 11130

Phone : (021) 6260083, 6313333

Fax : (021) 6394243

Email : admin.awp@natraco.co.id

Website : natraco.co.id

