

SJ4740

ELECTRIC SCISSORS



STANDARD FEATURES

- Drivable at full height
- Variable speed, front wheel hydraulic drive
- Dual holding brakes
- SKYCODED™ Color coded and numbered wiring system
- On-board visual interface with diagnostic capabilities
- Shroud style, impact resistant composite control box with extended cable
- Proportional controls for drive & lift functions
- Tilt Sensor (3.5° x 1.5°)
- 3' (0.91 m) Roll out extension deck
- 24V DC Power source
- Low voltage battery protection
- 25% Gradeability
- Solid rubber, non-marking tires
- Pothole protection system
- 110V AC Outlet on platform with GFI
- 28 mph (12.5 m/s) wind rating to 24' (7.32 m)
- Tilt alarm with drive & lift cut-out
- All motion audible alarm
- Lanyard attachment points
- Operator horn
- Forklift pockets and tie down/lift lugs
- Overload sensing system
- Fold down hinged railing system
- Half height spring hinged entry gate
- Telematics ready
- 5-Year parts warranty on standard charger and controller
- 2-Year Gold Leaf Warranty (5-year structural warranty)

OPTIONS

- Light duty pipe rack
- Heavy duty pipe rack
- Board carrier
- Tool caddy
- Flashing light
- Dual flashing lights
- 800W AC Inverter
- AGM Batteries
- Lockable swingout trays
- Full height spring hinged entry gate
- Bio oil
- Secondary Guarding Lift Enable (SGLE)
- Non-destructive testing
- ELEVATE telematics (3-year or 5-year plans available)
- ELEVATE Battery Management System (BMS) *
- Warranty options (3-year or 5-year plans available)

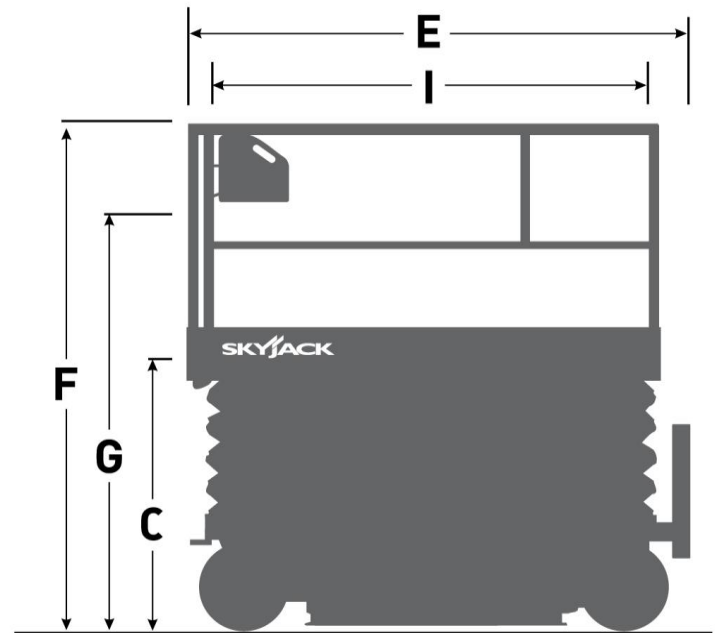
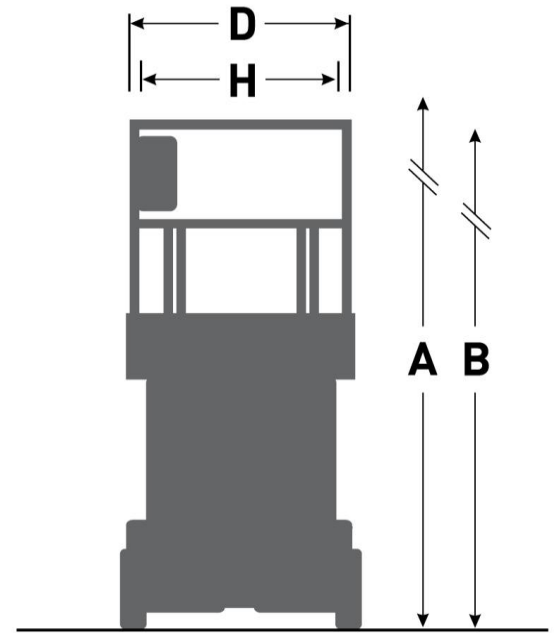
† Standard lead times may be increased when optional equipment is added, consult factory.

‡ Capacities and machine weights may differ when options are added.

* Only available with ELEVATE telematics

SJ4740 ELECTRIC SCISSORS

| Dimensions | SJ4740 |
|--|------------------------------------|
| A Work Height | 44' 11" (13.69 m) |
| B Raised Platform Height | 38' 11" (11.86 m) |
| C Lowered Platform Height | 56" (1.41 m) |
| D Overall Width | 47" (1.20 m) |
| E Overall Length (Platform Retracted) | 94.5" (2.40 m) |
| F Stowed Height (Rails Up) | 99.5" (2.53 m) |
| G Stowed Height (Rails Down) | 79.5" (2.03 m) |
| H Platform Width (Inside Railing) | 42" (1.06 m) |
| I Platform Inside Length (Retracted) | 86" (2.19 m) |
| Specifications | SJ4740 |
| Extension Deck (Roll Out) | 3' (0.91 m) |
| Ground Clearance (Pothole Raised) | 4.5" (11.4 cm) |
| Ground Clearance (Pothole Deployed) | 0.5" (1.3 cm) |
| Wheelbase | 73" (1.85 m) |
| Weight | 6,467 lbs (2,934 kg) |
| Gradeability | 25% |
| Turning Radius (Inside) | 17.5" (0.45 m) |
| Turning Radius (Outside) | 99" (2.51 m) |
| Lift Time (With Rated Load) | 68 sec |
| Lowered Time (With Rated Load) | 41 sec |
| Drive Speed (Stowed) | 1.9 mph (3.0 km/h) |
| Drive Speed (Raised) | 0.5 mph (0.8 km/h) |
| Maximum Drive Height | Full Height |
| Capacity (Overall) | 770 lbs (349 kg) |
| Distributed Capacity (Main Platform) | 505 lbs (229 kg) |
| Distributed Capacity (Extension Deck) | 265 lbs (120 kg) |
| Local Floor Load (With Rated Load) | 139 psi (956 kPa) |
| Overall Floor Load (With Rated Load) | 233 psf (1,137 kg/m ²) |
| Maximum # of persons at 0 mph (0 m/s) wind rating | 3 |
| Maximum # of persons up to 28 mph (12.5 m/s) wind rating | 1 up to 24' (7.32 m) |
| Tire Type | Solid, N/M |
| Tire Size | 16 x 5 x 12 |



PT NATRACO TUNAS CITRA

Jl. Kerajinan No. 8, Jakarta - 11130

Phone : (021) 6260083, 6313333

Fax : (021) 6394243

Email : admin.awp@natraco.co.id

Website : natraco.co.id

